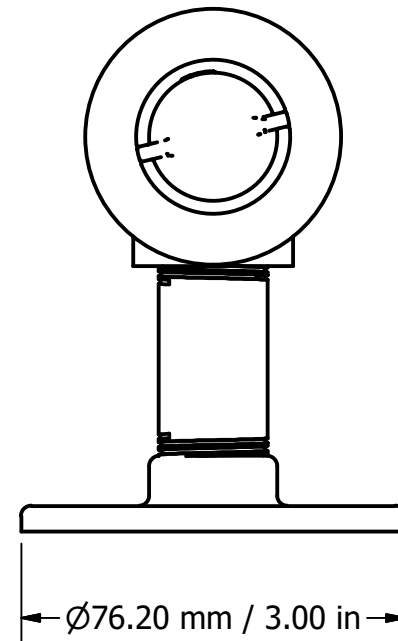
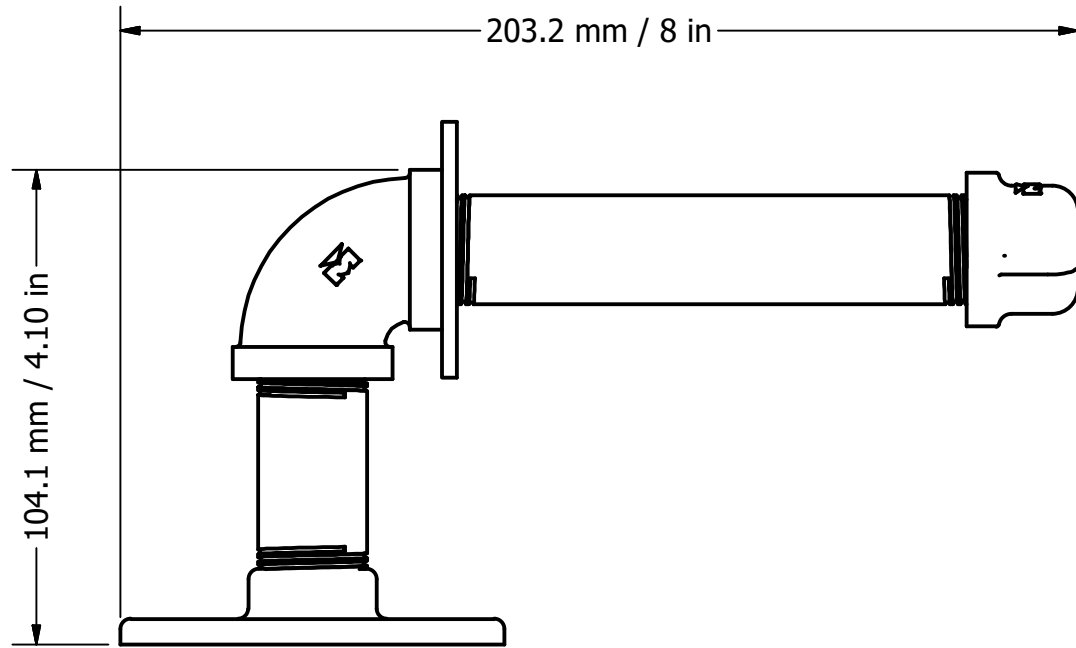
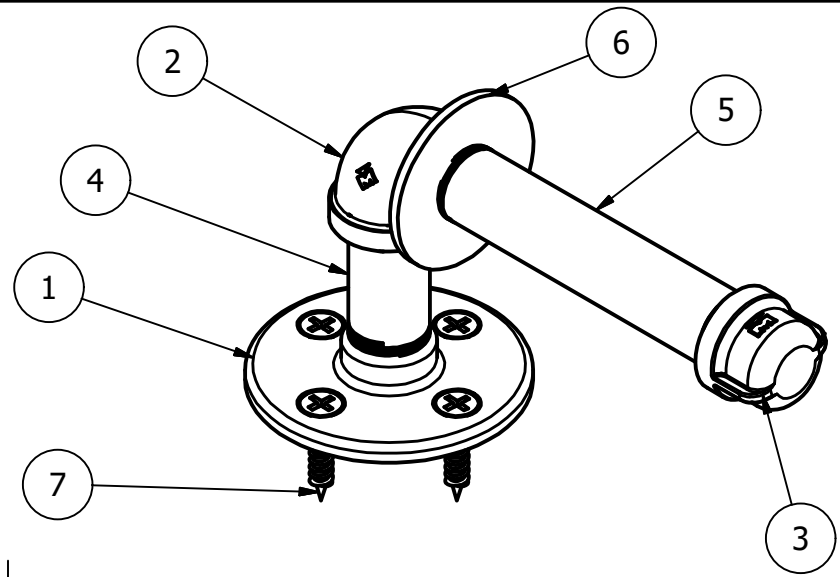


ITEM NO.	PART NO.	DESCRIPTION	QTY.
1	PIPE-FL12-3	1/2" FLANGE	1
2	PIPE-EL12-90	1/2" 90 DEG. ELBOW	1
3	PIPE-CAP-12	1/2" CAP	1
4	PIPE-NIP12-2.5	1/2" -2.5" NIPPLE	1
5	PIPE-NIP12-5	1/2" -5" NIPPLE	1
6	PIPE-WSH-2	METAL WASHER 2"	1
7	WOOD-SCREW-12	#12 WOOD SCREW	4



UNLESS OTHERWISE SPECIFIED	
.X	± .3mm
.XX	± .15mm
.XXX	± .008mm

COPYRIGHT ©PAUL DECORATIVE 2018



THIRD ANGLE PROJECTION

APPROVED FOR PRODUCTION

By: RICHARD PAUL
Date: 11-9-18

DRAWN	11-9-18	IM	MATERIAL:	BRASS	FINISH	TBD
CHECKED	11-9-18	R.P	DESCRIPTION:		QTY	TBD
APPROVED	11-9-18	R.P	Pipeline Collection European Style Toilet Tissue Holder		DRAWING NO.	
					P-100-ETP	
					SCALE	1.5:1 SHEET: 1 OF 1
						0